

WOD Automatic Orbital Tank Washing Device



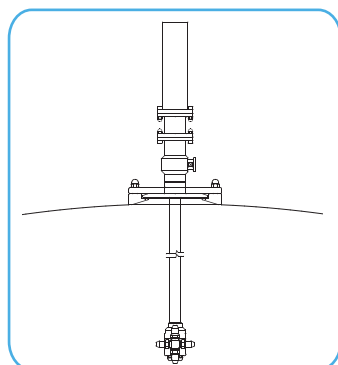
The WOD automatic orbital washing device is the best way to thoroughly clean your tank while minimizing consumption of CIP solution. Its high impact fluid jets are combined to geared rotation around the vertical and horizontal axes, assuring the jet to hit different points at every turn, covering the entire tank surface at every cycle.



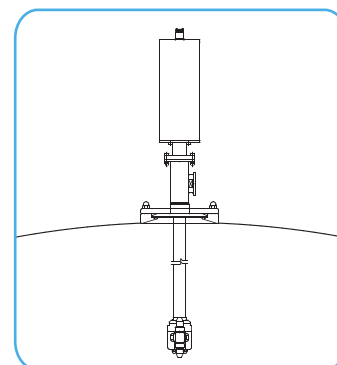
WOD-030



WOD-060



**WOD-030
TYPICAL TANK
INSTALLATION**



**WOD-060
TYPICAL TANK
INSTALLATION**

Technical Information:

Material: AISI 316L - 1.4404

Bevel Gear Material: AISI 431

O-ring Material: EPDM

Mechanical Seal Material: Gylon blue

Bearing Material: iglidur® A500 (FDA)

External Surface Finish: Ra ≤ 0.5µm

Lubricant: self-lubricating with the cleaning fluid during working condition

Optional: rotation sensor

other tank connections

other cleaning fluid inlet connections

inside and outside length on request

other O-ring material

electropolishing

CODE	WOD-030...-1A	WOD-060...-1A
Flow rate	30 l/min	60 l/min
Working pressure	4 barg	4 barg
Max working pressure	10 barg	10 barg
Max temperature	90°C	90°C
	150°C sterilization	150°C sterilization
Coverage radius	4m	5m
n. nozzles	4 - Ø3mm	2 - Ø6mm
Full cycle n. revolutions	22	31
Minimum tank connection size	4" clamp ASME BPE	4" clamp ASME BPE
Standard cleaning fluid inlet connection	¾" clamp ASME BPE	1" clamp ASME BPE
Drainage by air	Ok	Ok
min 3barg - max 10barg		
Spray angle	360°	360°
Cycle time	22 sec	31 sec
Pneumatic engine	0,38Kw Air 7 barg - 60rpm	0,38Kw Air 7 barg - 60rpm
Electrical engine Brushless	80W - 24V DC 60rpm	80W - 24V DC 60rpm

CONFIGURATOR



DATASHEETS



Last updates can be found on our website - www.aerreinox.it
In the interests of development of the product, we reserve the right to change the specifications without prior notice

